

fusion mk2

by Optimum



Uniting form and function

fusion mk2

super slimline style



LCD800/2SL Mk2 - Shown here with clear glass and pearl grey rods.

The Fusion Mark 2 Range

Quality without compromise – the **Fusion Mk2 Range** is available in three models each in different finishes and with a host of features. The distinctive flush mounted top shelf allows maximum space usage while tapered rear corners ensure the unit sits neatly in a corner or on a back wall. Lockable castors mean the unit can be easily moved for installation or cleaning.

Superbly finished 10mm glass shelves, all of which include cable management facility, give this range strength and elegance. Fusion Mk2 models are available in piano black glass with chrome rods, black glass with satin black rods or clear glass with pearl grey rods.

Fusion Mk2 - when style and function come together.



LCD630/3SLB Mk2 - Shown here with piano black glass and polished chrome rods.



Lockable castors



Tapered rear corners



10mm safety glass



Flush top shelf



LCD800/3SLB Mk2 -
Shown here with piano
black glass and
polished chrome rods.



LCD800/2SLB Mk2 -
Shown here with piano
black glass and
polished chrome rods.



LCD650/3SL Mk2 -
Shown here with
clear glass and
pearl grey rods.



LCD800/2SL Mk2 -
Shown here with clear
glass and pearl grey rods.

fusion mk2 specifications

800mm wide units - Mk2 - 2 shelves

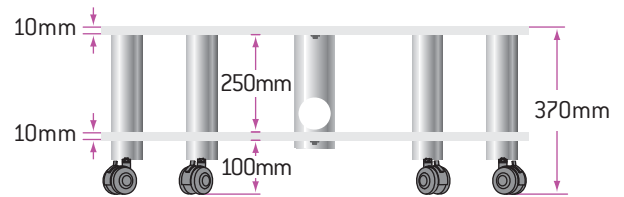
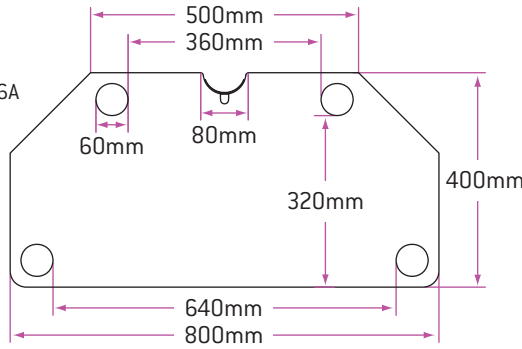
Features:

- Two 400mm deep shelves
- Available in clear and black glass
- 10mm toughened safety glass BS6206A
- Cable management system
- Lockable castors - removable
- Tapered rear corners

Product options and codes:

Clear Glass: LCD800/2SL Mk2

Black Glass: LCD800/2SLB Mk2



800mm wide units - Mk2 - 3 shelves

Features:

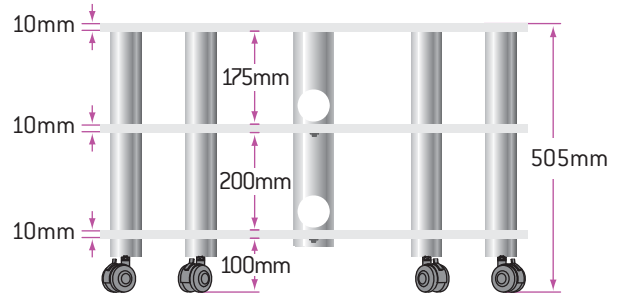
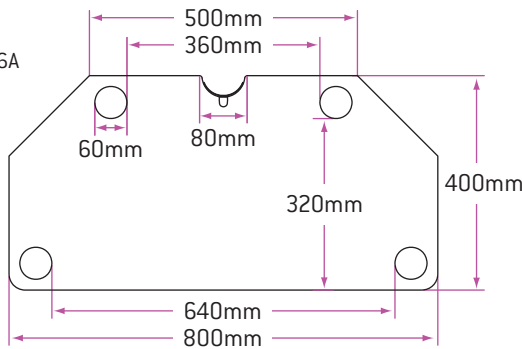
- Three 400mm deep shelves
- Available in clear and black glass
- 10mm toughened safety glass BS6206A
- Cable management system
- Lockable castors - removable
- Tapered rear corners

Product options and codes:

Clear Glass: LCD800/3SL Mk2

Black Glass: LCD800/3SLB Mk2

Black Glass: LCD800/3SLBB Mk2



650mm wide units - Mk2

Features:

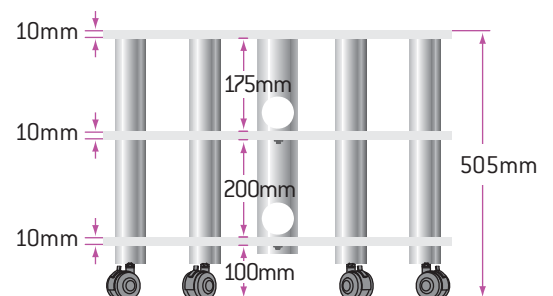
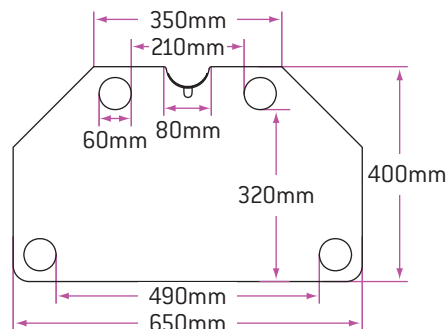
- Three 400mm deep shelves
- Available in clear and black glass
- 10mm toughened safety glass BS6206A
- Cable management system
- Lockable castors - removable
- Tapered rear corners

Product options and codes:

Clear Glass: LCD650/3SL Mk2

Black Glass: LCD650/3SL Mk2

Black Glass: LCD650/3SLBB Mk2



fusion: retail price guide

April 2010

The Fusion Range comes in a choice of five models which are available in piano

black glass with polished chrome rods or clear glass with pearl grey rods.

See tables below for full product specifications and retail prices.

fusion|800mm wide units - Mk2

Product code	Overall dimensions	Shelf depth	Shelves	Glass Colour	Rod Finish	RRP
LCD800/2SL Mk2	W800mm x H370mm	400mm	2	Clear	Pearl Grey	£149.95
LCD800/2SLB Mk2	W800mm x H370mm	400mm	2	Black	Polished Chrome	£149.95
LCD800/3SL Mk2	W800mm x H505mm	400mm	3	Clear	Pearl Grey	£199.95
LCD800/3SLB Mk2	W800mm x H505mm	400mm	3	Black	Polished Chrome	£199.95
LCD800/3SLBB Mk2	W800mm x H505mm	400mm	3	Black	Satin Black	£199.95



LCD800/3SLB Mk2

fusion|650mm wide units - Mk2

Product code	Overall dimensions	Shelf depth	Shelves	Glass Colour	Rod Finish	RRP
LCD650/3SL Mk2	W650mm x H505mm	400mm	3	Clear	Satin Grey	£149.95
LCD650/3SLB Mk2	W650mm x H505mm	400mm	3	Black	Polished Chrome	£149.95
LCD650/3SLBB Mk2	W650mm x H505mm	400mm	3	Black	Satin Black	£149.95



LCD650/3SL Mk2