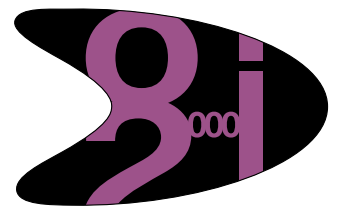


elmob
by Optimum



Optimum
international



innovation of the future



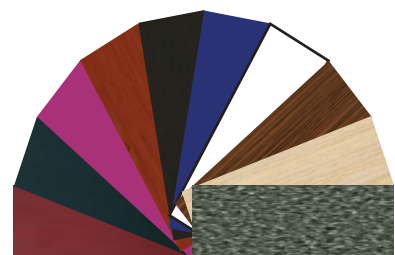
The Elmob by Optimum Range

The **Elmob by Optimum** cantilever range of LCD and plasma stands incorporates many outstanding features. All models include a 26 degree left and right swivel bracket, hidden castors for ease of movement, aluminium supports, toughened safety glass and integral cable management system.

Available in two ranges, Lynx and Cygnus, all with high gloss black glass and suitable for 19" to 42" LCD and plasma screens.

Elmob - focused on a solution

The **Lynx LY1931/BK** includes ten high quality compact laminates. These allow you to add a particular finish to the stand to match your individual taste. The colours are Burgundy, Black, Rose, Acajou, Wenge, Dark Blue, Ultra White, Zebrano, White Oak and Mica.





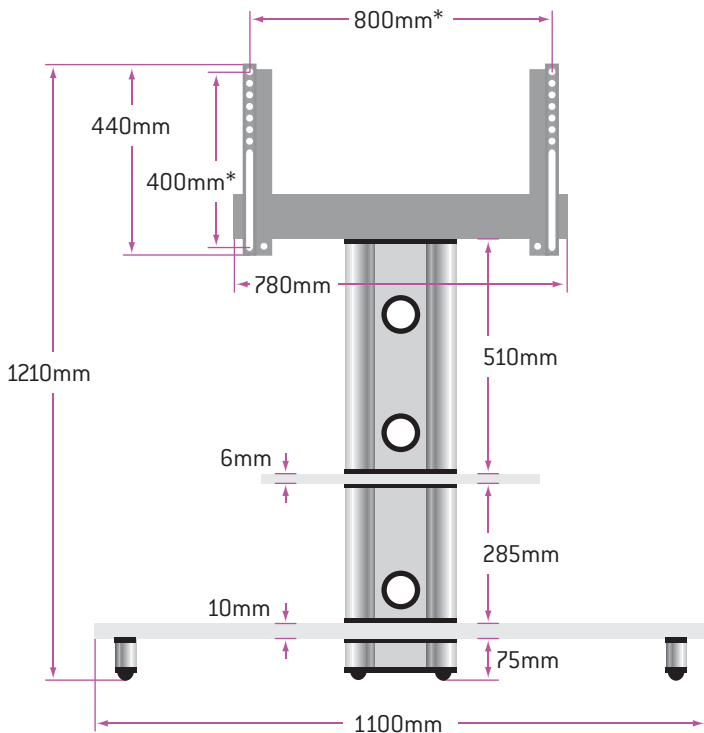
Lynx LY1931/BK - Shown in high gloss black aluminium and 1100mm wide black glass with the Zebrano laminate



Product code:

High gloss black aluminium: LYNX LY1931/BK

*These measurements are the maximum mounting positions

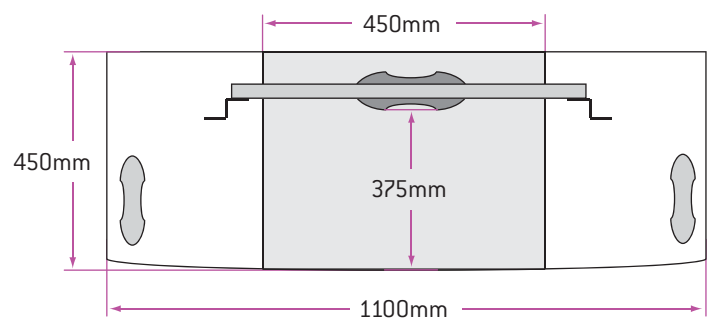


1100mm wide unit

Features:

- Suitable for up to 42" LCD or plasma screens
- High gloss black glass shelves
- High gloss black aluminium
- 26 degree left and right movement of the screen mount
- Flush mounted castors for ease of movement
- 10 different high quality coloured laminate panels for choice

LYNX LY1931/BK





Cygnus CY1544/BY -
Shown in high gloss burgundy aluminium and 800mm wide black glass



Cygnus CY1544/BK -
Shown in high gloss black aluminium and 800mm wide black glass



800mm wide unit

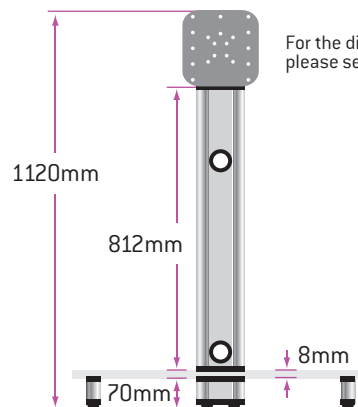
Features:

- Suitable for up to 32" LCD or plasma screens
- High gloss black glass shelf
- Available with high gloss black or high gloss burgundy aluminium support
- 26 degree left and right movement of the screen mount
- Flush mounted castors for ease of movement
- High quality construction

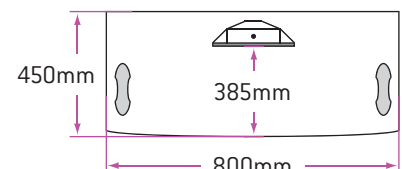
Product options and codes:

High gloss black aluminium: CYGNUS CY1544/BK

High gloss burgundy aluminium: CYGNUS CY1544/BY



For the dimensions of the mounting plate please see the last page of the brochure.



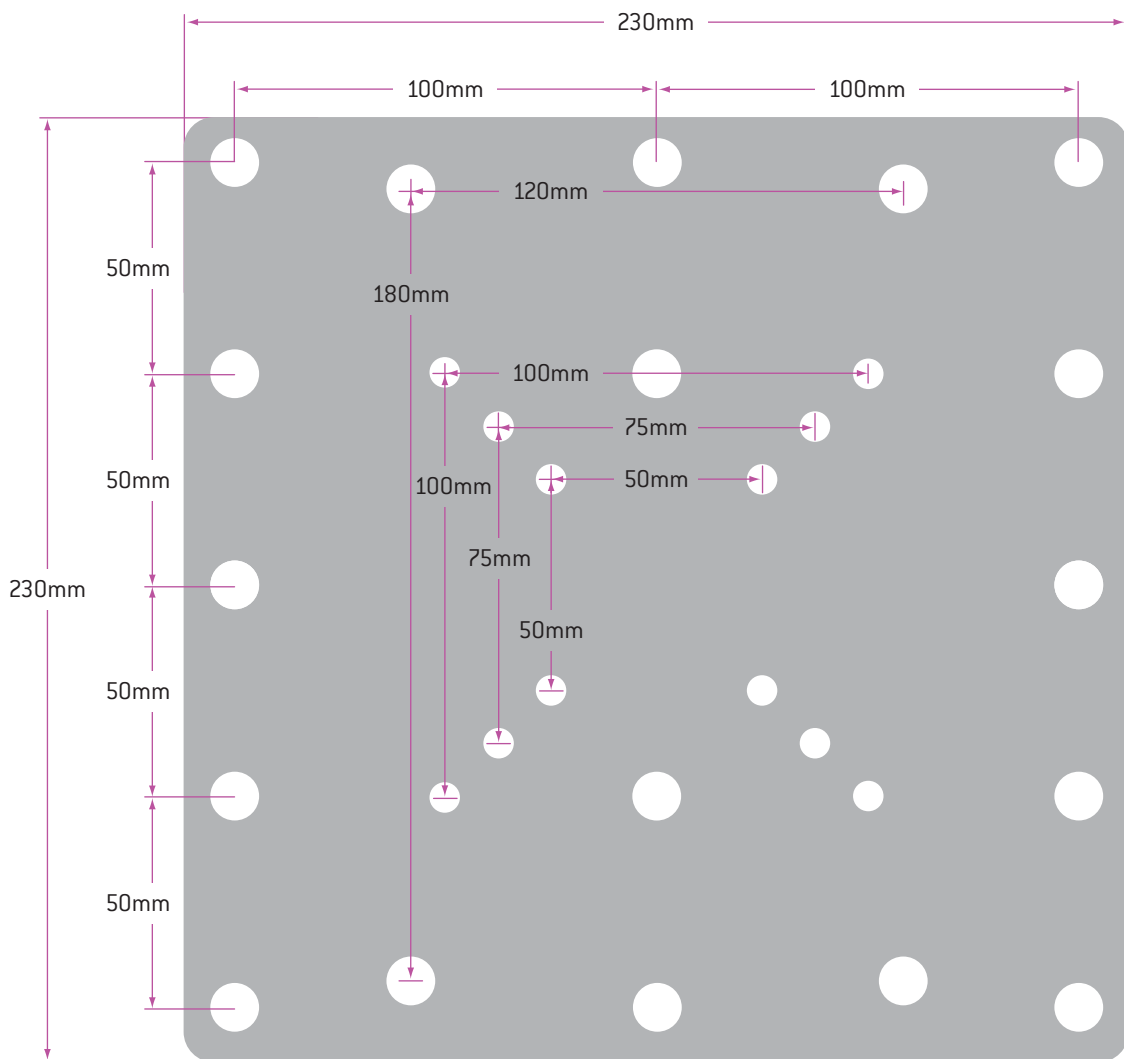
CYGNUS CY1544

Mounting Plate For The Elmob Cygnus Stands

The large mounting hole are 8mm in diameter, the smaller holes are 6mm in diameter.

The mounting plate is used on the following models only:

Cygnus CY1144 - both finishes



elmob - Lynx 1100mm wide units

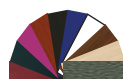


LY1931/BK

Finish Option:



Gloss Black Finish & Smoked Glass



Includes 10 High Quality Laminate Inserts

Product code	Overall dimensions (H x W x D)	Suggested Flat Panel TV Size	Finish	RRP (Inc Vat)
LY1931/BK	121 x 110 x 45 cm	42"	Gloss Black	£279.95

elmob - Cygnus 800mm wide units



CY1544/BK



CY1544/BY

Finish Option:



Gloss Black Finish & Smoked Glass



Gloss Burgundy Finish & Smoked Glass

Product code	Overall dimensions (H x W x D)	Suggested Flat Panel TV Size	Finish	RRP (Inc Vat)
CY1544/BK	112 x 80 x 45 cm	32"	Gloss Black	£179.95
CY1544/BK	112 x 80 x 45 cm	32"	Gloss Burgundy	£179.95